

SBT-360™

Bin Tipper



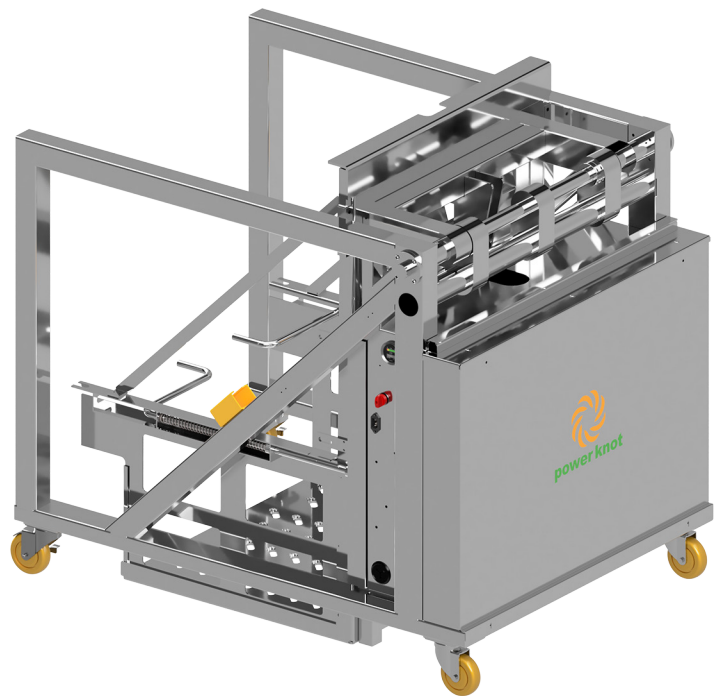
Description

The SBT-360 bin tipper is designed to lift a variety of bins that are commonly used by paper shredding, pharmaceutical, and food preparation industries. The SBT-360 bin tipper can lift up to 140 kg (300 lb) and deposit the contents into a gaylord container from 80 cm to 120 cm (32" to 47") tall. The machine can tip bins varying in sizes from 90 litre to 360 litre (24 gallon to 96 gallon).

This product is designed, developed, and assembled by Power Knot in Silicon Valley, California.

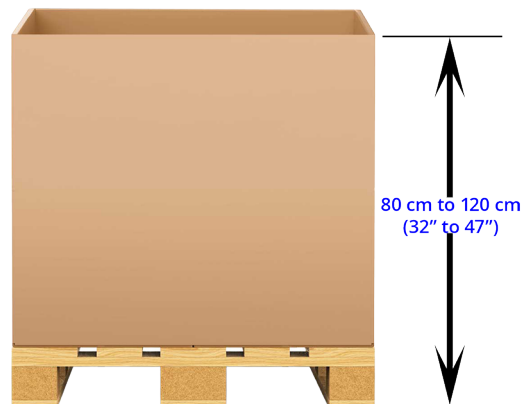
Features

- Tips at 30° to ensure all papers and documents are expelled from the bin
- 24 V system to provide at least 100 lifts of maximum load on a full charge
- Less than 20 seconds to go up and down
- Strong construction tolerates heavy duty usage and design ensures rigidity when lifting heavy bins
- Maximum height with 360 litre (96 gallon) bin is 2.38 m (7.8') to permit use in a truck
- Lifting platform ensures compatibility with a wide range of bins
- Spring loaded catches or chain to hold bins in place to ensure safety
- Two fixed front casters and two 360° swivel casters ensure easy maneuverability
- Casters are made of stainless steel and swivel casters have a lock
 - Built in battery charger to charge batteries in five hours
 - Battery indicator shows voltage, percentage of charge, and hours of use
 - Easily lifted with a forklift



Benefits

- Maximize profits by unloading multiple bins in one visit
- Minimize lifting and carrying by personnel to prevent injuries
- Mobile machine can easily fit into trucks
- Maximum tip angle ensures papers are expelled whilst working within the height constraints of a truck
- Easily get a day's use before the need to charge the batteries
- Simple and easy to use control switches
- Stainless steel construction will not rust
- Standard batteries are easily replaced



SBT-360

Details

Operating environment

10°C to 45°C (50°F to 113°F)

IP51 (not rated for outdoor use)

Construction

All stainless steel chassis

Surface level

±4 mm (0.2")

Weight when empty

200 kg (440 lb)

Lifting capacity

140 kg (300 lb)

Bin sizes

Capacity: 90 litre to 360 litre (24 gallon to 96 gallon)

Width: 706 mm (27.8") maximum

Lip height: 1170 mm (46.1") adjustable to 1240 mm (48.8")

Lifts when fully charged

100 minimum

AC power for charging

120 V ~ 240 V 50 Hz ~ 60 Hz, 5 A
ETL approved for USA and Canada;
CE approved

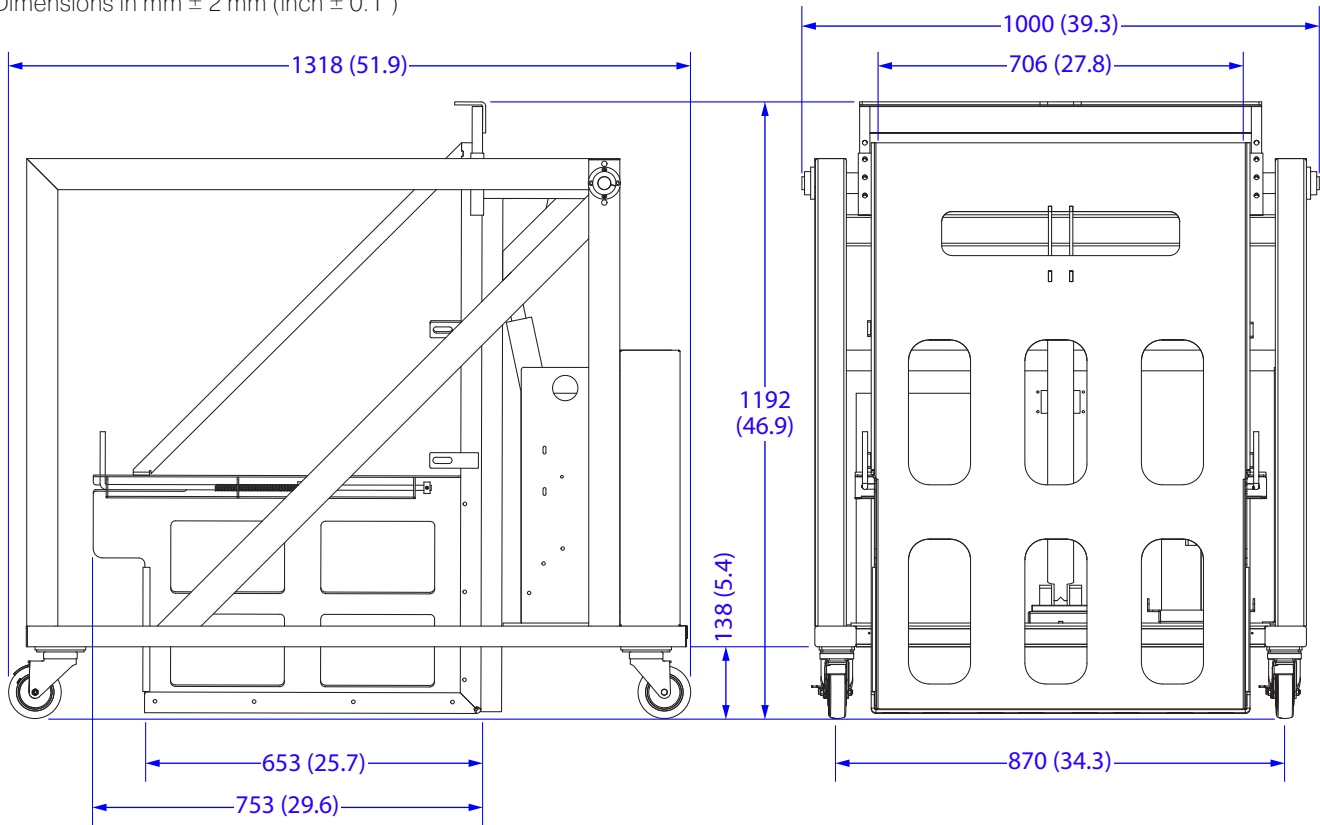
Operating lifetime

Expected to be 15 to 25 years

Warranty

1 year on parts and components
except batteries
Subject to terms and conditions

Dimensions in mm ± 2 mm (inch ± 0.1")

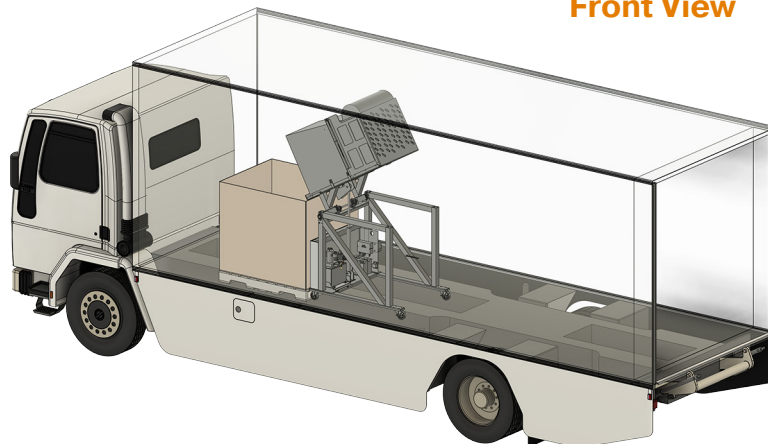


Side View

Front View

Example usage

SBT-360 with bin lifted in a mid-size semi truck



Power Knot LLC | 47613 Warm Springs Blvd | Fremont, CA 94539 USA | +1-408-889-8433 | info@powerknot.com | www.powerknot.com

Power Knot, the Power Knot logo, the Power Knot mark, and SBT are trademarks or registered trademarks of Power Knot LLC. All other trademarks used herein are the property of their respective owners. Copyright © 2018–2025 Power Knot LLC; all rights are reserved. Specifications are subject to change at any time without notice. Document number 96-01310-04, 05 September 2025.