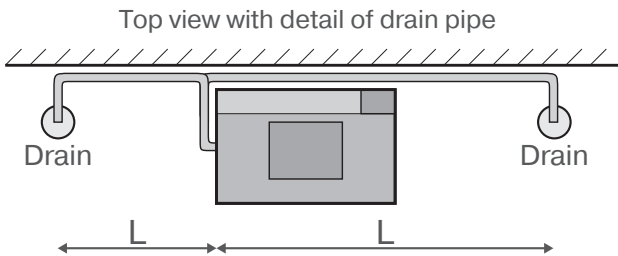
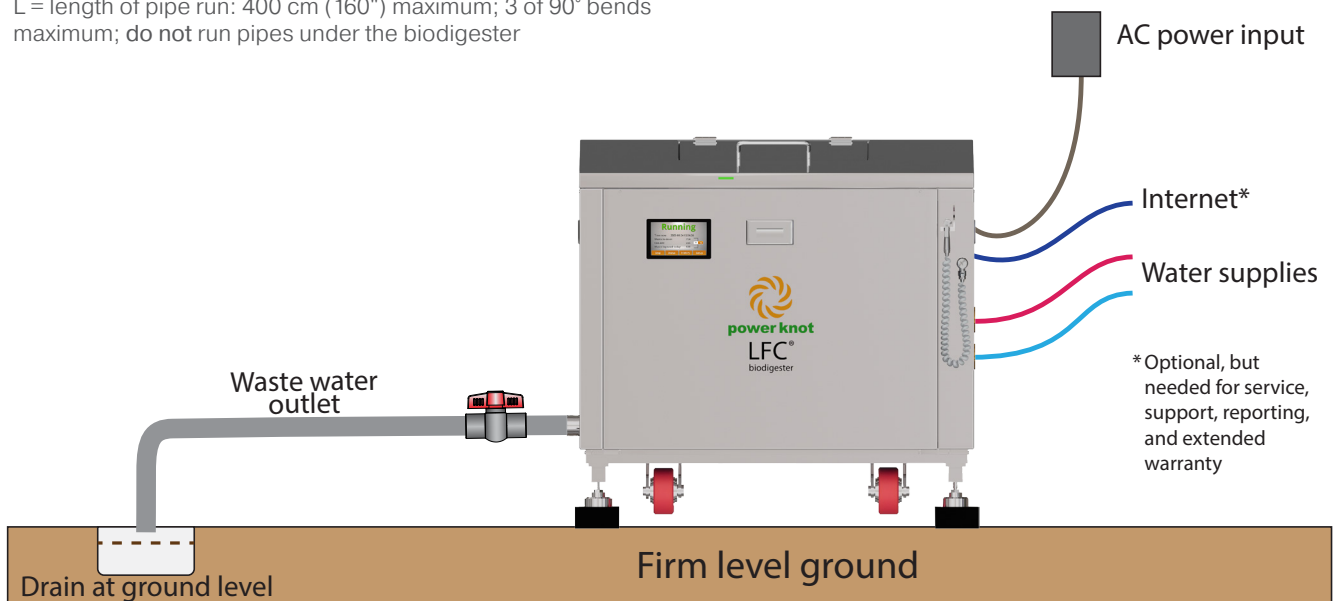


# LFC-50

Biodigester



Only one drain is required on left side or right side of machine  
Pipes normally run along wall for neatness, but can be direct  
L = length of pipe run: 400 cm (160") maximum; 3 of 90° bends maximum; do not run pipes under the biodigester



# LFC-50

## Installation Requirements

### Maximum capacity of food waste

50 kg (110 lb)  
66 litre (17 gallon)

### Digestion of food waste per day

17 kg to 150 kg (38 lb to 330 lb)

### Construction

All stainless steel (chassis, side panels, drum, shaft, arms, paddles, and load cells). Chassis is mirror finish (EN 10088-2 specification 2P)

### Operating environment

Indoors or covered patio  
Must not be exposed to rain, snow, or sunshine

### Ingress protection

IP54 – splash proof and dust proof

### Operating altitude

0 to 3000 m (9800 ft)

### Ambient operating temperature

10°C to 40°C (50°F to 104°F) when altitude is less than 1000 m (3300 ft); reduce linearly to 24°C (75°F) at 3000 m

### Floor surface flatness required

±5 mm (±0.2")

### Weight when empty

174 kg (384 lb)

### Moving and positioning

Machine is rolled into place with casters  
Machine is raised once in position and supported by feet and rubber pads

### Weight when full

249 kg (549 lb) maximum

### Load per pad

84 kg (185 lb) maximum

### Pressure per pad

80 kPa (12 psi), maximum

### Space required around machine

**Left side:** 20 cm (8") minimum, 28 cm (11") preferred. 100 cm (39") is required for servicing

**Right side:** 15 cm (6") minimum, 60 cm (24") preferred. 125 cm (50") is required for servicing

**Back:** 2 cm (1")

**Front:** 60 cm (24") minimum

### Water inlets

**Filters:** use external filters to remove particles and hardness

**Fittings:** DN 15 (½") female

Use flexible hose pipes to allow machine to move freely. Install valves to disconnect

water for servicing and backflow prevention devices if required

**Pressure:** 275 to 675 kPa  
(40 to 98 psi, 2.8 to 6.9 kg/cm<sup>2</sup>)

**Flow rate:** 20 litre per minute (5 gpm) max.  
@ 450 kPa (65 psi, 4.5 kg/cm<sup>2</sup>)

**Drum water:** 42°C~50°C (108°F~120°F)

**Washout water:** 15°C~75°C (60°F~165°F)

Use WMX-20 water system or use external mixing valves, heaters, pressure reducers, and bladder tanks to meet the above requirements as needed

### Water input per day

150 litre (40 gallon) typical

### Water outlet

Use flexible coupling on output to permit machine to move freely

Install stop valve on outlet pipe (used for commissioning)

Slope pipe down by about 1 in 45 (1.3°)

### Drain

**Type:** Must exit to sewer (not storm drain); grease trap is required in most jurisdictions

**Size:** 50 mm (2") minimum

### Total water output per day

200 litre (53 gallon), typical

### Flow rate of waste water out

20 l/min (5.3 gpm), maximum

0.1 l/min (0.04 gpm), typical average

### AC supply

Single phase (L+N+ PE)  
100 V to 260 V, 50 Hz to 60 Hz  
IEC 60320-1 C14 socket  
External circuit breaker: 8 A

### AC power cord

Order power cord separately. Typical length of power cord: 180 cm (6')

Facility power outlet must be accessible by operator and have a safety disconnect

### Maximum power

380 W

### Electrical energy per day

1.9 kWh typical

### Heat generated by digestion

50 W to 200 W, 100 W typical

### User interface

22 mm 3-color LED

5" touchscreen with 65k colors

### Ethernet

RJ45, 100 baseT  
DHCP or fixed IP address

Connect to Internet with direct cable, Wi-Fi client, or GSM modem

Automatically connects to LFC Cloud for remote support, reporting, and monitoring (included in purchase price)

### Powerzyme

Microorganisms and enzymes

0.5 litre, included with initial purchase

### Powerchips

Medium for microorganisms

50 litre, included with initial purchase

### Operating lifetime

Expected to be 15 to 25 years

### Warranty

3 years on all parts and components

(1 year for marine, security, and rentals)

Subject to terms and conditions

### Hygiene

NSF/ANSI 13-2024

### Weighing

NTEP certified to NIST Handbook 44

### Safety

Certified to UL430 edition 8 (waste disposal machines)  
CAN/CSA-C22.2 No. 60335-1:11 R16  
CAN/CSA-C22.2 No. 60335-2-16:16  
EN 60335-1:2012+A11:2014+A13:2017  
+A1:2019+ A14:2019+A2:2019  
EN 60335-2-16:2003+A1:2008+A2:2012  
+A11:2018

### EMC and EMI

47 CFR FCC part 15, subpart B, class B  
ICES-003:2016 Issue 6, class B  
ANSI C63.4:2014  
EN 61000-6-1:2007 & 2005  
EN 61000-6-3:2007+A1:2011 & 2006  
CISPR 16-2-3:2016  
CISPR 16-2-1:2006  
CISPR 16-1-2:2003 + A1:2004 + A2:2006  
EN 61000-3-2:2005 +A1:2008 +A2:2009  
EN 61000-3-3:2013  
EN 61000-4-2:1995  
EN 61000-4-3:2006  
EN 61000-4-4:2004  
EN 61000-4-5:2006  
EN 61000-4-6:2014  
EN 61000-4-8:1993  
EN 61000-4-11:2004

### EU directives

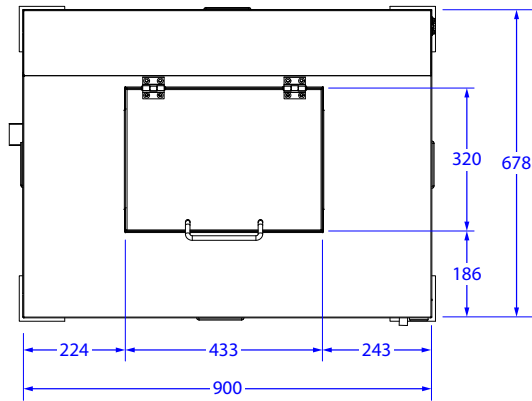
Low Voltage Directive: 2014 / 35 / EU  
EMC Directive: 2014 / 30 / EU  
RoHS Directive: 2011 / 65 / EC  
WEEE Directive: 2012 / 19 / EC



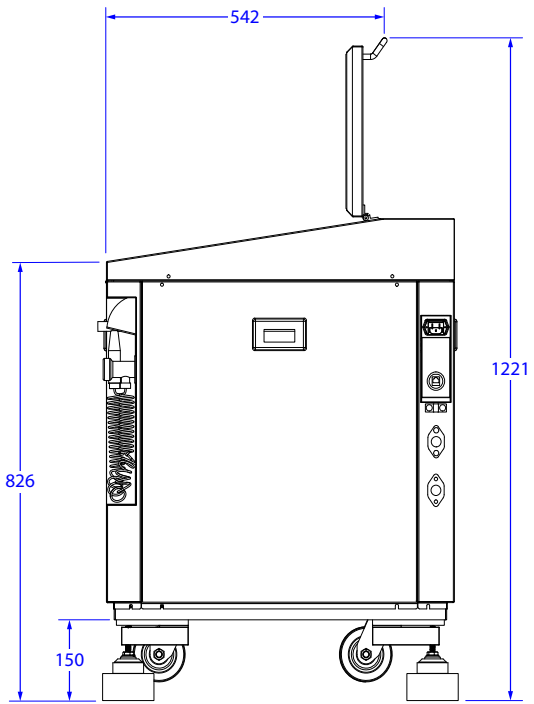
For complete details see User's Manual

# LFC-50

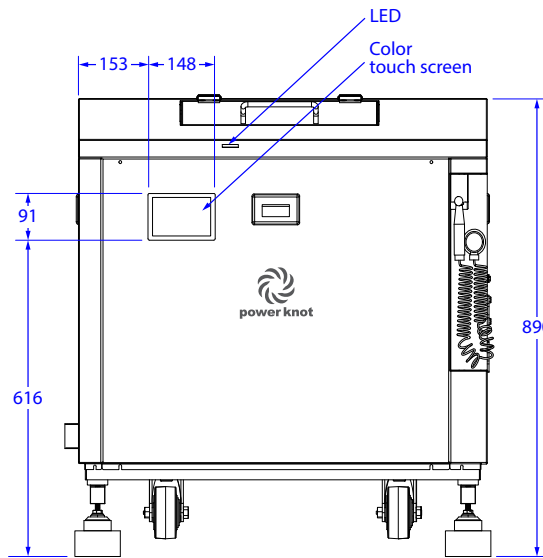
Dimensions in mm ±2 mm



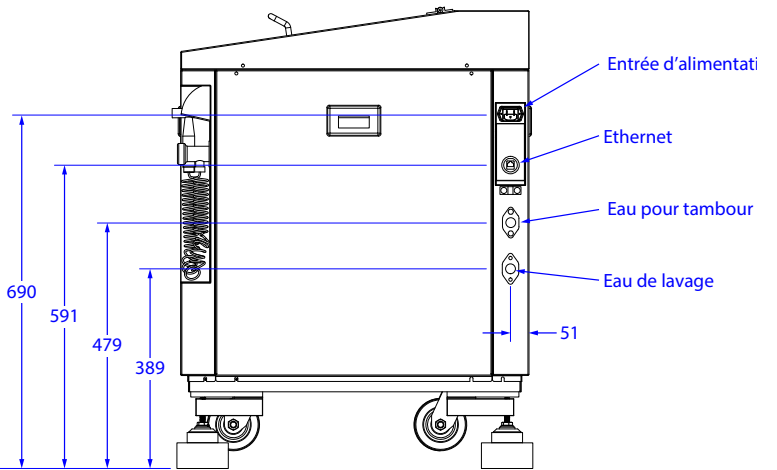
Top



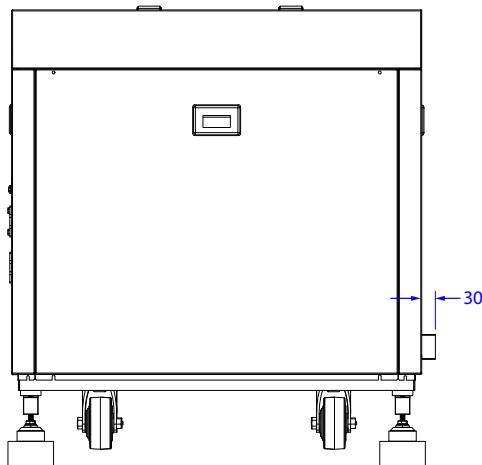
Right with door fully open



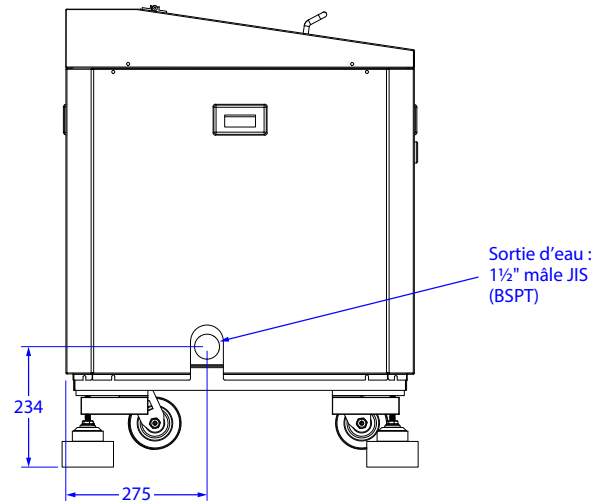
Front



Right



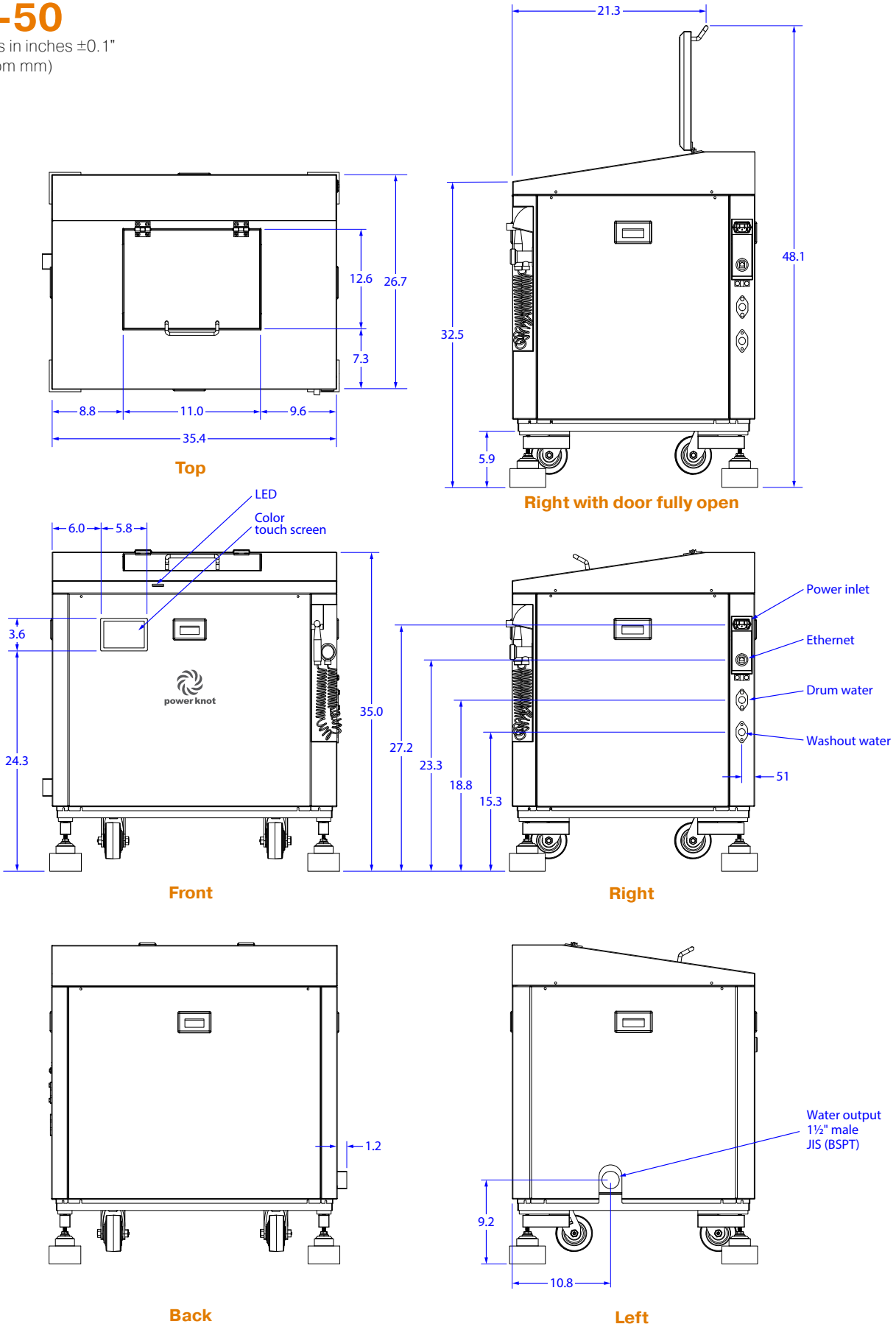
Back



Left

# LFC-50

Dimensions in inches ±0.1"  
(derived from mm)



Power Knot LLC | 47613 Warm Springs Blvd | Fremont, CA 94539 USA | +1-408-889-8433 | [info@powerknot.com](mailto:info@powerknot.com) | [www.powerknot.com](http://www.powerknot.com)

Power Knot, the Power Knot logo, the Power Knot mark, LFC, LFC Cloud, Powerchips, and Powerzyme are trademarks or registered trademarks of Power Knot LLC. All other trademarks used herein are the property of their respective owners. Copyright © 2009–2026 Power Knot LLC; all rights are reserved. Specifications are subject to change at any time without notice. Document number 96-01034-45, 21 April 2026.